

Final flat size: 593.85 x 419.61

SHARP®

HD 32" CLASS

31.5" Diagonal

Full HD LED 1080p TV LC-32LB480U



FIND YOUR USER GUIDE ONLINE!

We are going green so a copy of your *User Guide* is not provided in the box but is available online. Go to: <https://www.sharptvusa.com/support>

Find your model and select **Download Owner's Manual**. Your online *User Guide* opens.

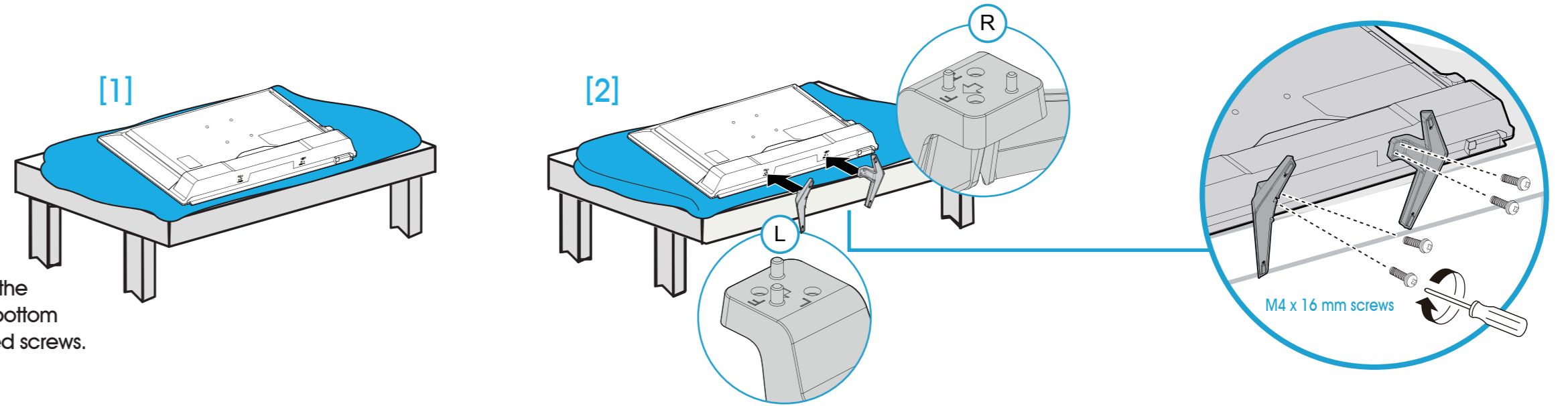
QUICK SETUP GUIDE

1 START HERE

How do I attach the stands to my TV? (not for wall mounting)

You'll need: Phillips screwdriver and a soft surface to lay the TV on.

- Carefully place your TV face-down on a cushioned, clean surface.
- Make sure that the arrows on the stands are pointing towards the front of the TV. Align the TV stands with the screw holes on the bottom of the TV, then secure the stands to the TV with the four provided screws.

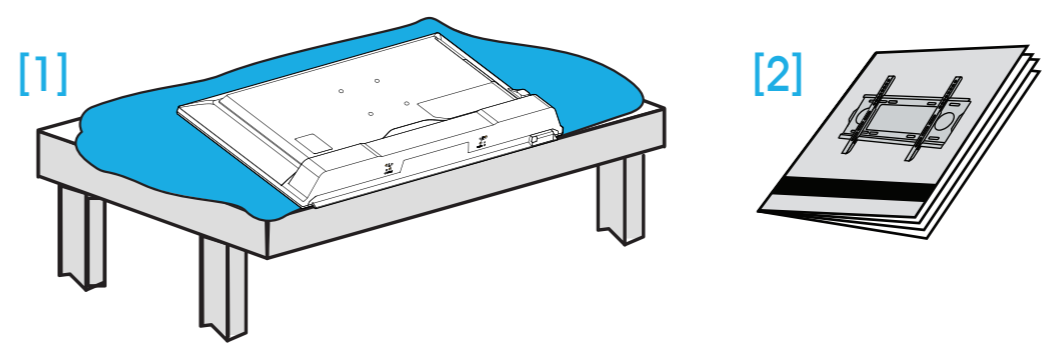


OR

How do I prepare my TV for wall mounting? (not for use with the TV stands)

You'll need: Phillips screwdriver and a soft surface to lay the TV on.

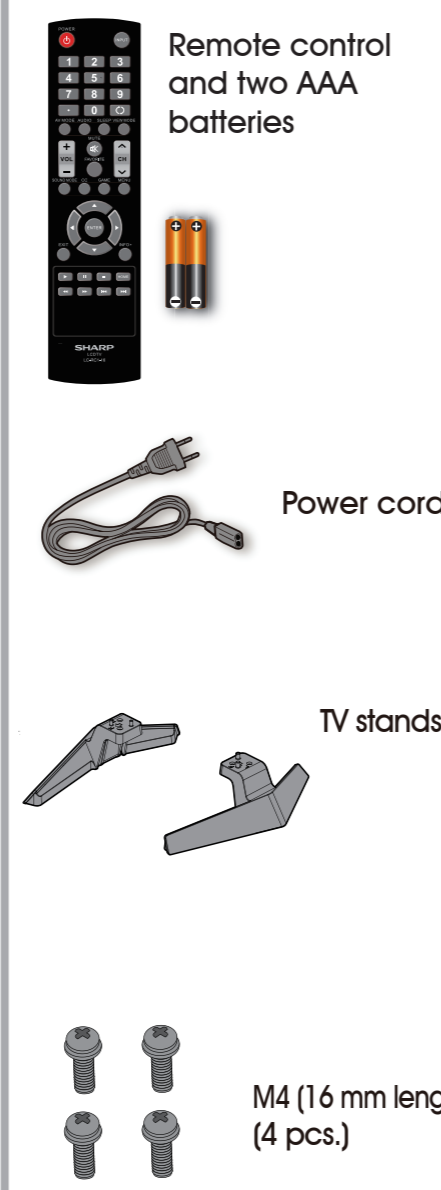
- Carefully place your TV face-down on a cushioned, clean surface.
- See the instructions that came with your wall mount for more information about how to correctly mount your TV.



Wall mount installation guide (not included)
Your TV has four VESA mounting holes on the back. If you attach a wall-mount bracket to the back of your TV, **the bracket must be securely attached, using all four holes.** If you do not use all four mounting holes, your TV may fall and cause property damage or personal injury. See the documentation that came with your wall mount for complete mounting instructions.

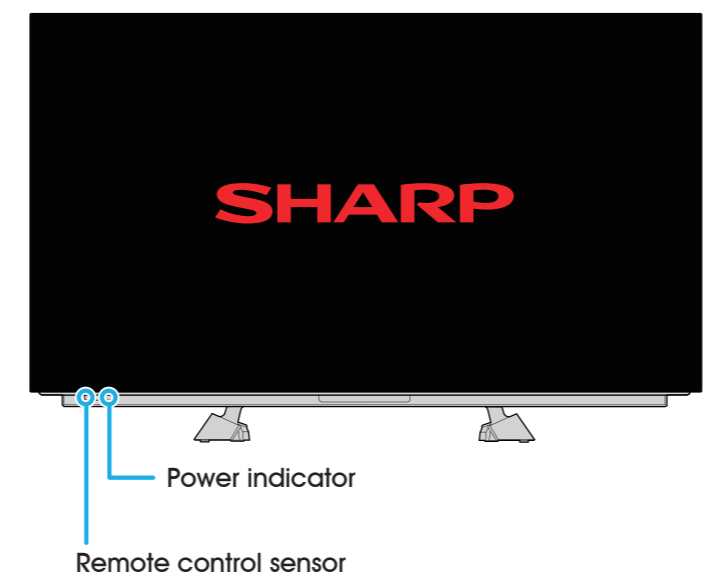
STOP!
Do not plug your power cord in until all other devices have been connected.

Included accessories

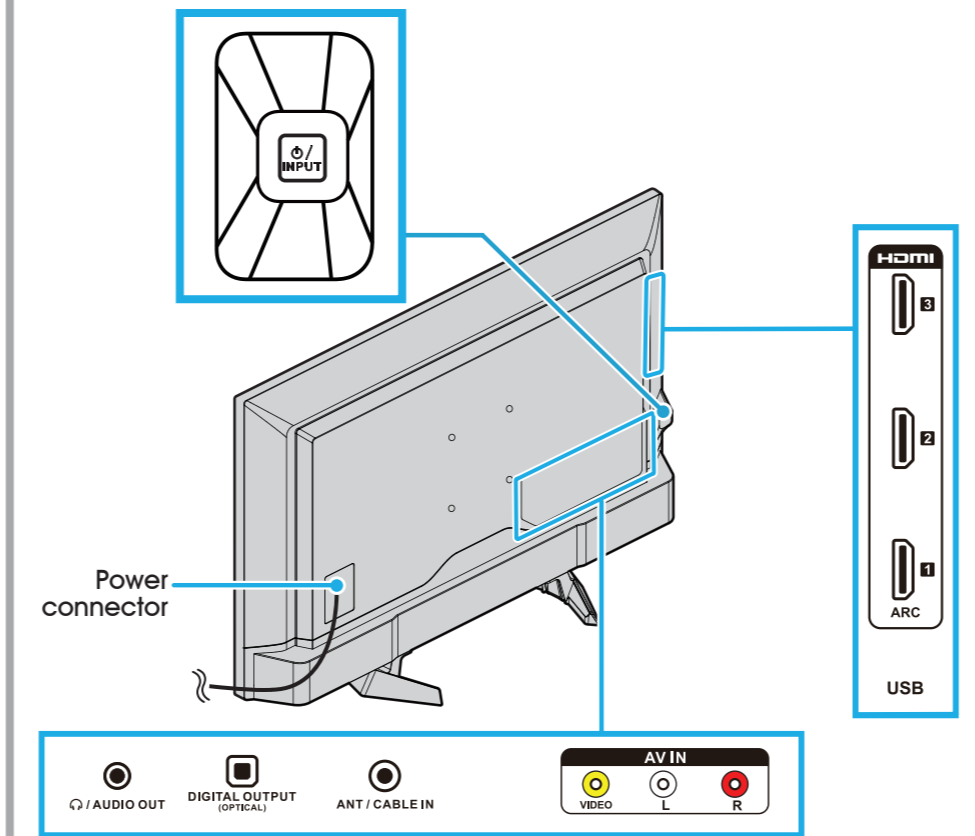


Features

Front view



Back view

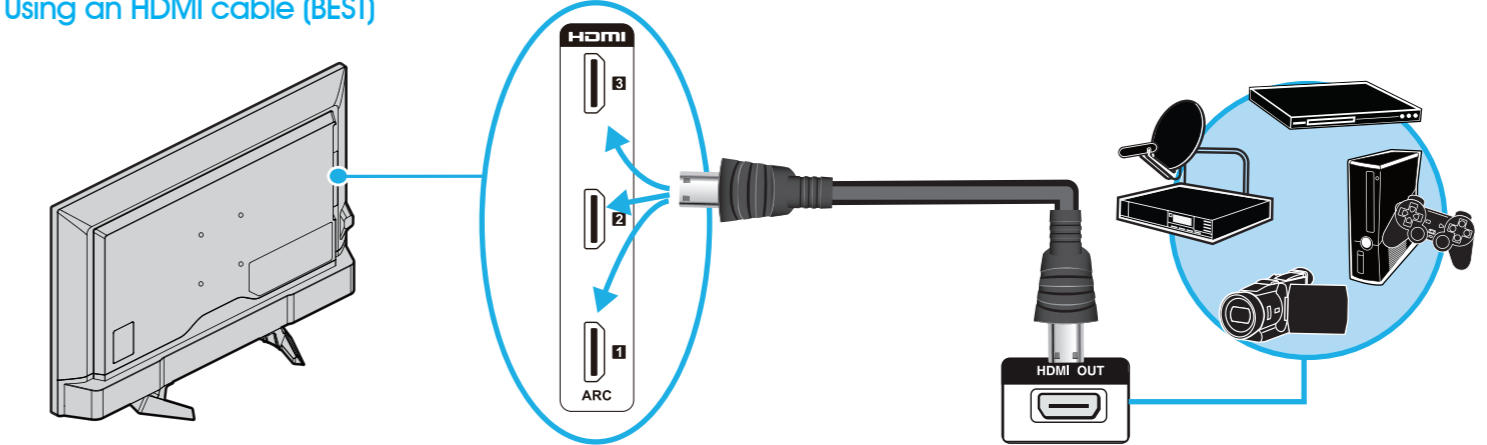


Note: Images do not necessarily represent the exact design of your television. Before using your new product, please read these instructions to prevent any damage.

2 MAKING CONNECTIONS

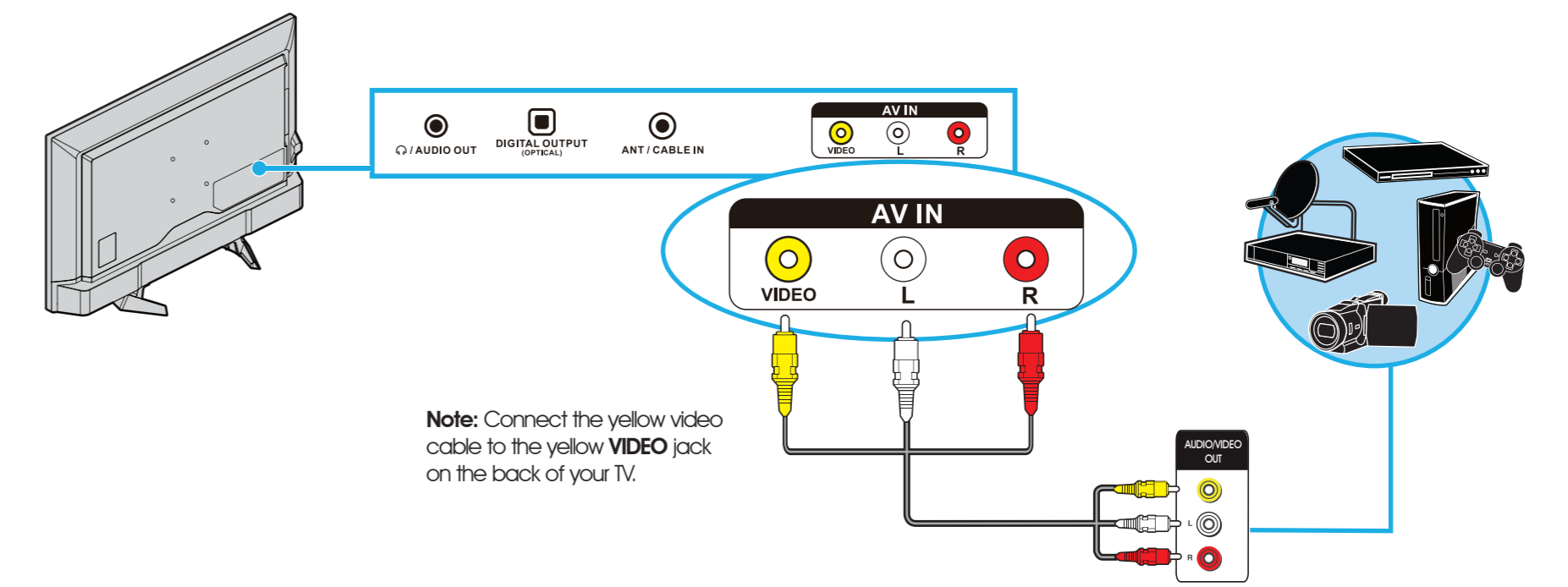
How do I watch TV (cable, satellite, or antenna) or connect a device such as a DVD or Blu-ray Disc player or game console?

Using an HDMI cable (BEST)



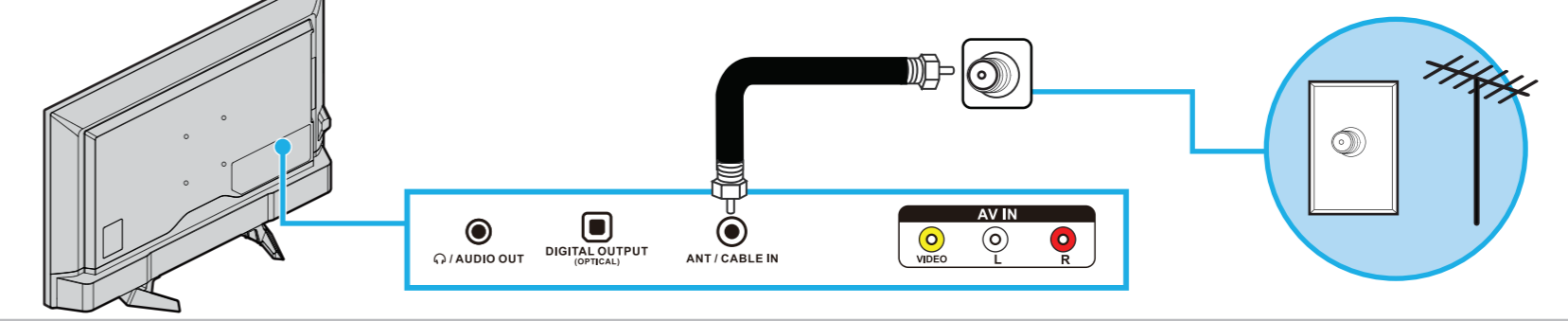
Multi-purpose jacks: You can plug any device that uses HDMI into any HDMI jack. However, certain devices must be connected to the ARC jack. See the instructions that came with your ARC device for more information.

Using an AV cable (GOOD)



Note: We suggest upgrading to HDMI if your device supports it.

How do I connect my TV to an antenna or cable wall jack?

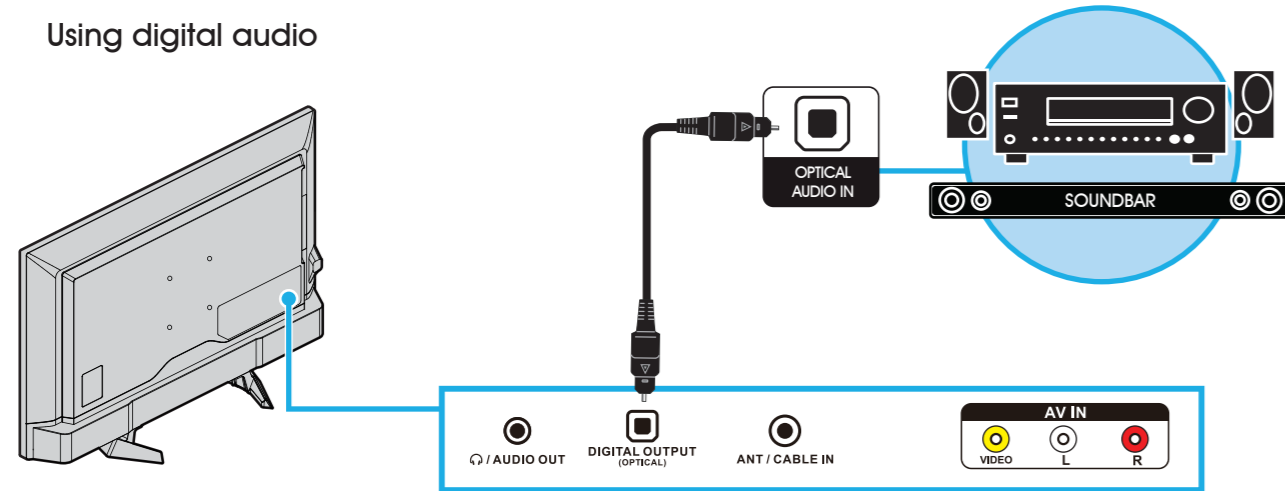


OVER

3 CONNECTING AUDIO DEVICES

How do I connect my TV to external speakers?

Using digital audio

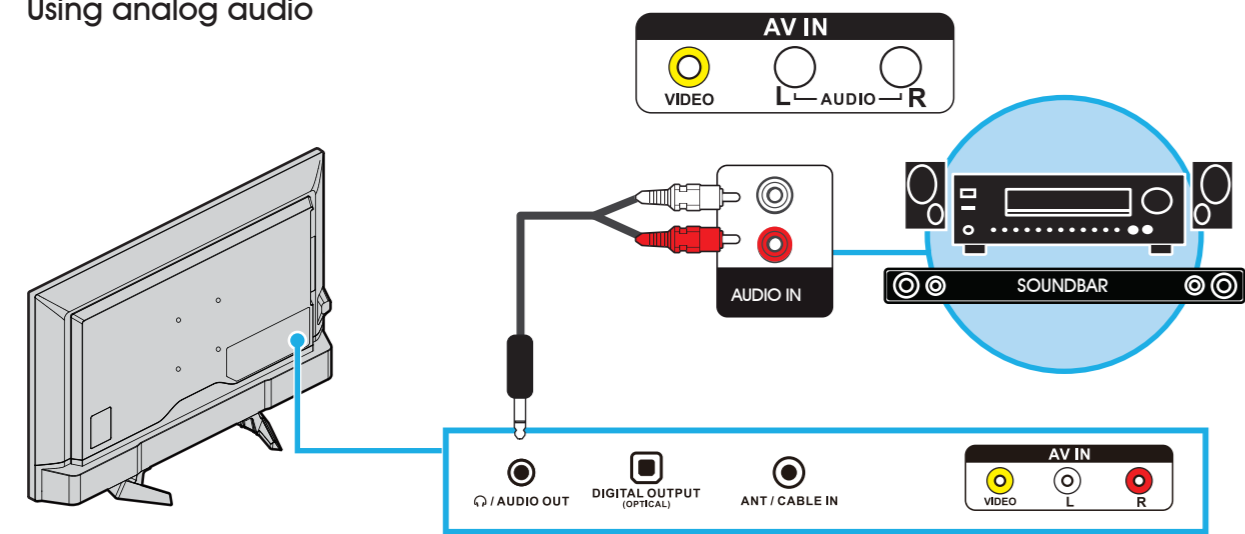


On the **Sound** menu, highlight **Digital Audio Format/Audio Delay**, then press **ENTER**. Set **Audio Format** to **PCM**.

Note: Refer to the instructions that came with your speakers for more information.

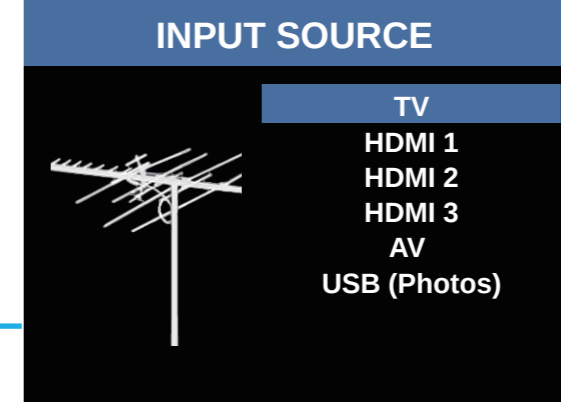
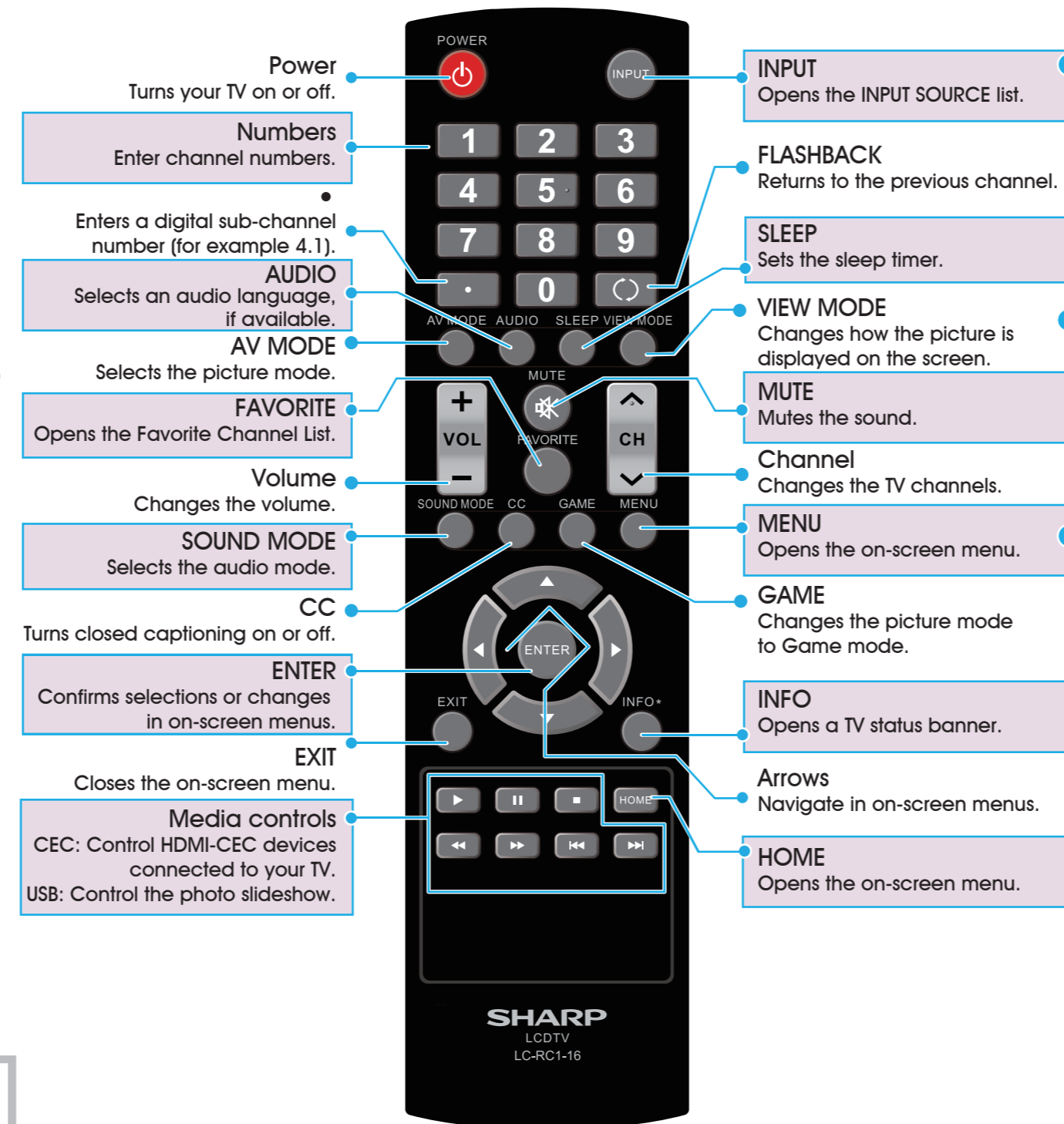
OR

Using analog audio



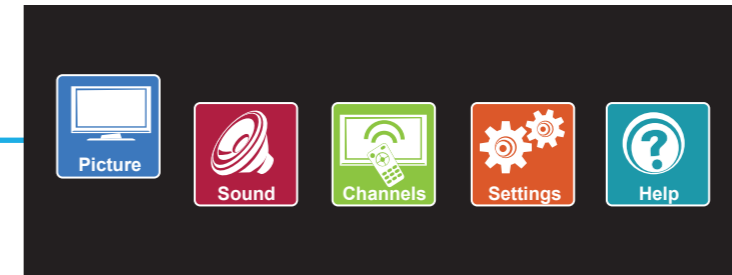
Note: Refer to the instructions that came with your speakers for more information.

Using your remote control



What are my screen-size options?

- Normal**: Original aspect ratio is preserved. You might see black bars if the original content is not widescreen (16:9).
- Zoom**: Expands the image to fill the screen. The top and bottom of the image may be cropped.
- Wide**: Displays content recorded in a 16:9 (widescreen) aspect ratio.
- Cinema**: Stretches the image at the edges, but keeps a clear image in the center.
- Auto**: Automatically adjusts the image based on the screen size and the TV program. Select this option if you are uncertain which aspect ratio to choose. **Note:** Auto is only available when **Auto View Mode** in the **CHANNELS** menu is set to **On**.



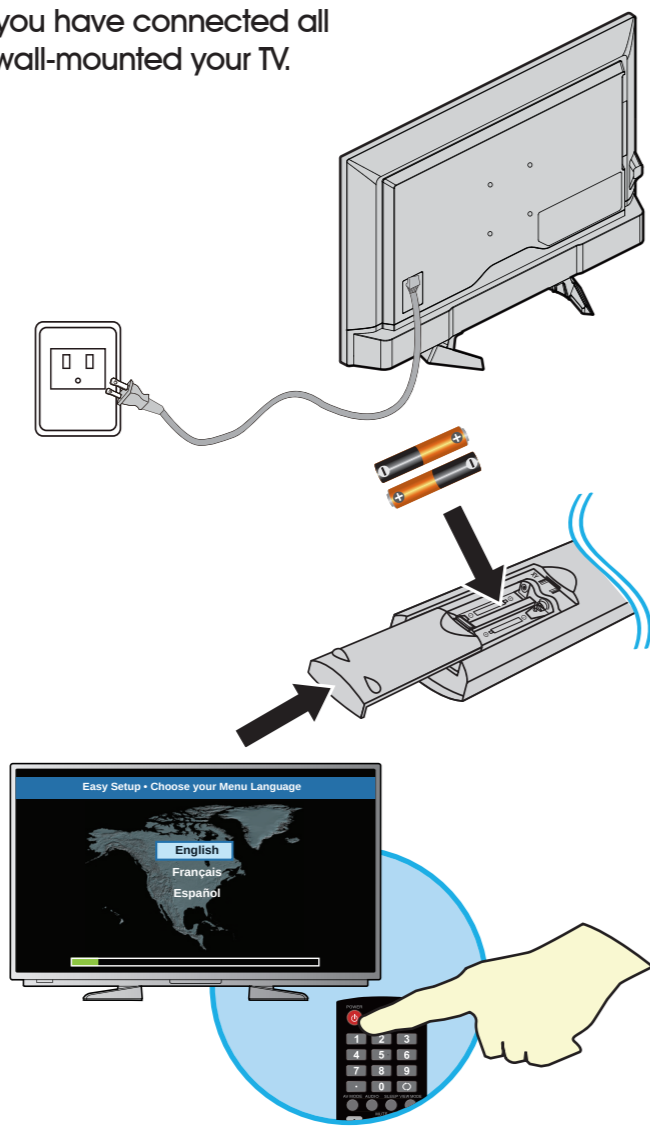
4 TURNING ON MY TV

When can I turn on my TV?

The best time to turn on your TV is after you have connected all devices and attached the TV stand or wall-mounted your TV.

When your television is in place:

- 1 Plug one end of the power cord into the **AC IN** connector on the back of your TV and the other end into a power outlet.
- 2 Remove the remote control cover and install the batteries, matching the + and - symbols.
- 3 Press **POWER** on your remote control.
- 4 Follow the on-screen instructions.



I already have a universal remote control. How do I make it control this TV?

If you already have a universal remote control that you would like to program to work with your TV and don't want to use the included Sharp remote control, see the table below for common codes.

UNIVERSAL REMOTE TV CODES	
AT&T U-Verse	1138, 1176, 1177, 1214, 1244, 1247, 1248, 1348, 1350, 1415, 1416, 1007, 1041, 1042, 1047, 1049, 1071, 1072, 1086, 1097, 1131, 1190, 1191, 1192, 1221, 1242, 1282, 1309, 1315, 1331, 1367, 1377, 1442, 1579, 12360, 10818, 11602, 13867, 10093
Cablevision	004, 014, 019, 022, 028, 081, 127, 236, 251, 496
Charter	004, 014, 016, 019, 022, 023, 024, 025, 026, 027, 028, 029, 081, 0093, 127, 175, 143, 251, 236, 393, 395, 409, 496, 0039, 0093, 0165, 0386, 0491, 0688, 0689, 0851, 1917, 10093, 10165, 10386, 10688, 10851, 10818, 11602, 10818, 12360
Comcast	0093, 0165, 10032, 10036, 10093, 10153, 10165, 10386, 10398, 10491, 10851, 10854, 11089, 11407, 11602
Cox	002, 008, 049, 050, 051, 052, 070, 071, 072, 073, 098, 102, 107, 139, 166, 167, 179, 0039, 0093, 0153, 0157, 0165, 0220, 0281, 0386, 0398, 0491, 0630, 0688, 0689, 0818, 0851, 1004, 1006, 1010, 1022, 1025, 1079, 1093, 1094, 1095, 1100, 1137, 1139
DirecTV	10032, 10036, 10039, 10093, 10153, 10157, 10165, 10281, 10381, 10386, 10491, 10688, 10720, 10818, 10851, 10854, 11089, 11393, 11589, 11602, 11917
Dish Network	005, 026, 091, 105, 106, 107, 108, 128, 129, 214, 521, 526, 546, 585, 591, 605, 606, 607, 608, 628, 629, 654, 655, 658, 663, 670, 702, 739, 740, 741, 803, 835, 965
RCA	005, 008, 018, 020, 067, 077, 083, 089, 097, 10093, 10818, 12360
Rogers	0818
Time Warner	016, 022, 023, 024, 025, 026, 027, 028, 029, 073, 107, 179, 251, 363, 0026, 0039, 0090, 0091, 0093, 0107, 0129, 0141, 0153, 0157, 0165, 0200, 0220, 0224, 0225, 0281, 0386, 0398, 0491, 0688, 0689, 0702, 0818, 0851, 1004, 1006, 1010, 1022, 1025, 1079, 1093, 1094, 1095, 1100, 1137, 1139, 1197, 1602
Verizon	342, 0120, 0205, 0518, 0715, 0716, 0878, 3005, 3008, 3021, 3025, 3027, 3073, 3121, 3125, 3132, 3138, 3142, 3206, 3222

SHARP

One-year limited warranty
Visit <https://www.sharptvusa.com/support>

Need additional help?
See your online *User Guide!* This comprehensive guide includes everything from basic how-to steps to more advanced features. Go to: <https://www.sharptvusa.com/support>

Find your model and select **Download Owner's Manual**. Your online *User Guide* opens.

We're here for you.
<https://www.sharptvusa.com/support>
For customer service, call: 855-544-2030

©2016 Best Buy China LTD.
All rights reserved. SHARP is a trademark of Sharp Corporation; used under license by Hisense International (Hong Kong) America investment Co., Limited.