

Final flat size: 593.85 x 419.61

SHARP • Roku TV

HD

32"/43"/50" CLASS

31.5" Diagonal
42.5" Diagonal
49.5" Diagonal

Full HD LED 1080p TV

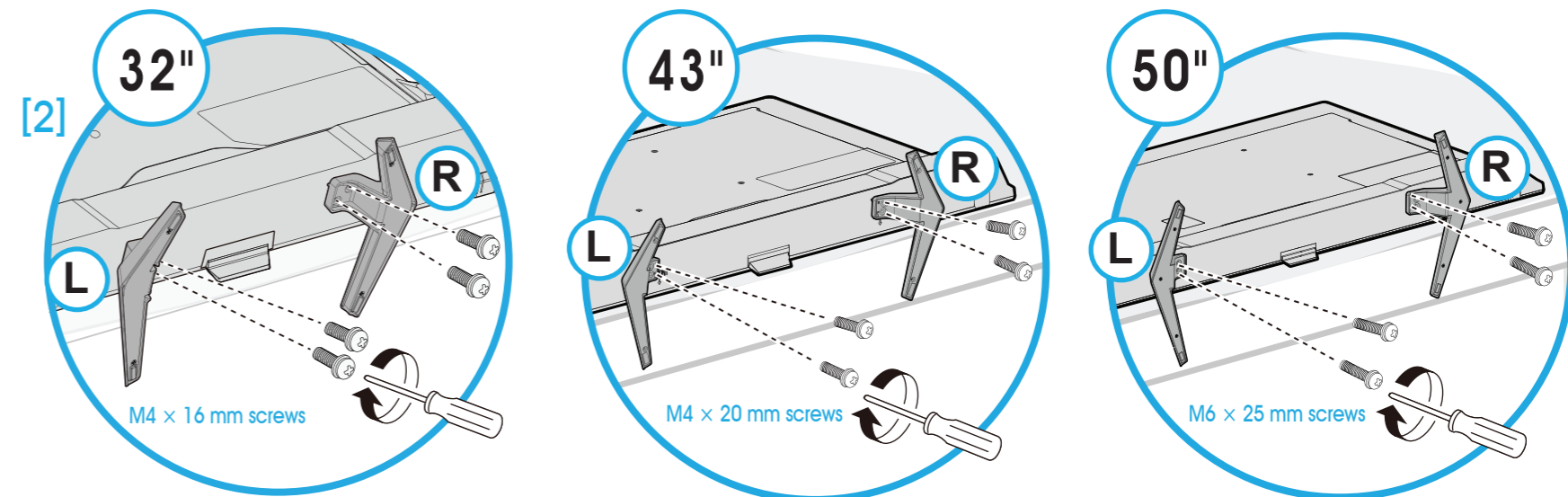
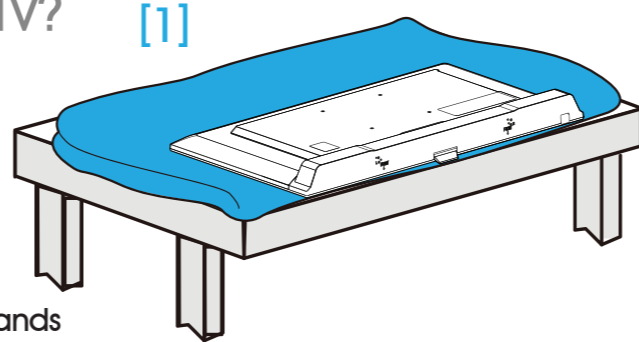
LC-32LB481U
LC-43LB481U
LC-50LB481U

QUICK SETUP GUIDE

1 START HERE

How do I attach the stands to my TV? (not for wall mounting)

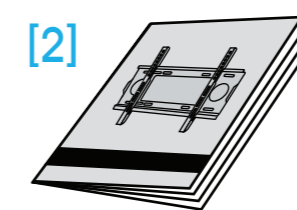
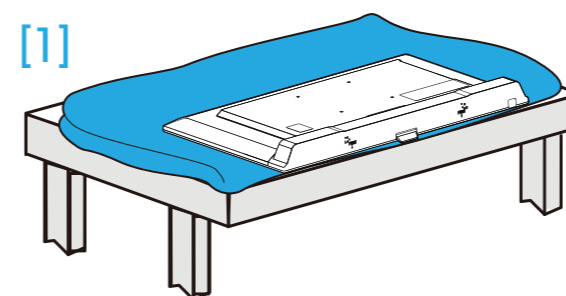
- You'll need: Phillips screwdriver and a soft surface to lay the TV on.
- 1 Carefully place your TV face-down on a cushioned, clean surface.
 - 2 Make sure that the arrows on the stands are pointing towards the front of the TV. Align the TV stands with the screw holes on the bottom of the TV, then secure the stands to the TV with the four provided screws.



OR

How do I prepare my TV for wall mounting? (not for use with the TV stands)

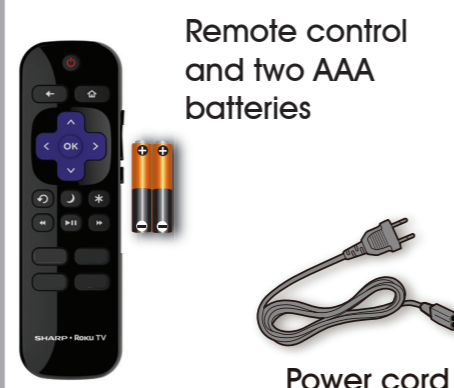
- You'll need: Phillips screwdriver and a soft surface to lay the TV on.
- 1 Carefully place your TV face-down on a cushioned, clean surface.
 - 2 See the instructions that came with your wall mount for more information about how to correctly mount your TV.



Wall mount installation guide (not included)
Your TV has four VESA mounting holes on the back. If you attach a wall-mount bracket to the back of your TV, **the bracket must be securely attached, using all four holes.** If you do not use all four mounting holes, your TV may fall and cause property damage or personal injury. See the documentation that came with your wall mount for complete mounting instructions.

STOP!
Do not plug your power cord in until all other devices have been connected.

Included accessories



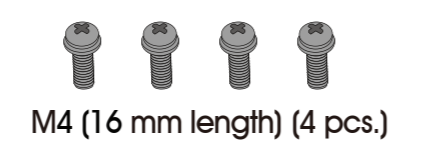
Remote control and two AAA batteries



Power cord



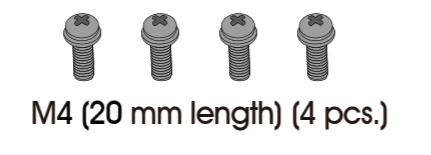
32" TV stands



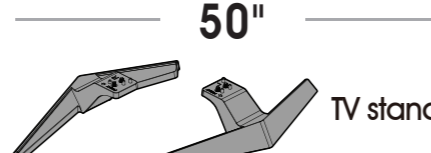
M4 (16 mm length) (4 pcs.)



43" TV stands



M4 (20 mm length) (4 pcs.)



50" TV stands



M6 (25 mm length) (4 pcs.)

Features

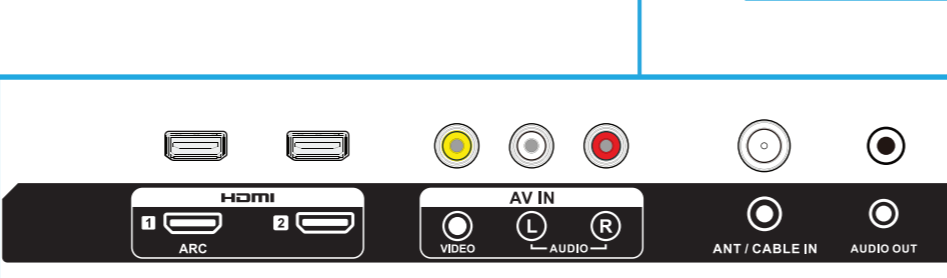
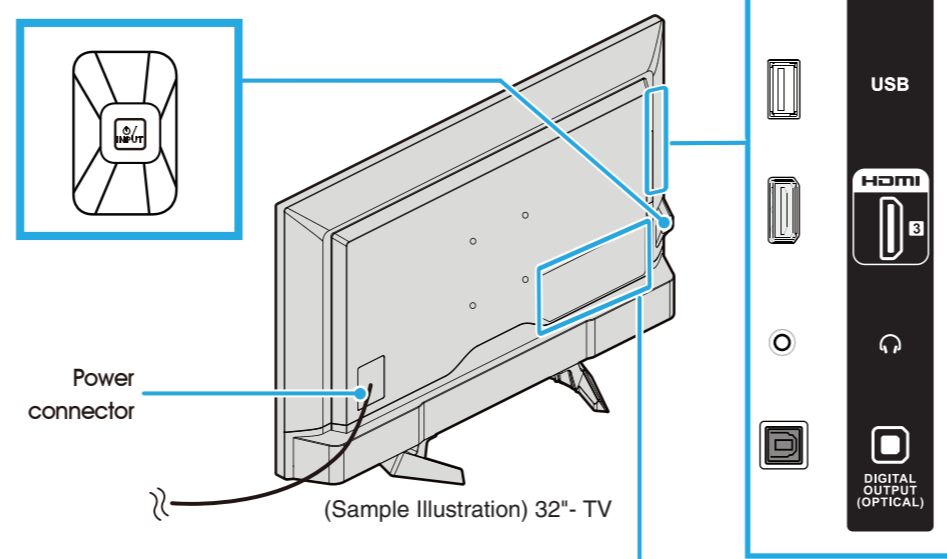
Front view

(Sample Illustration) 32"- TV



Remote control sensor
Power indicator

Back view

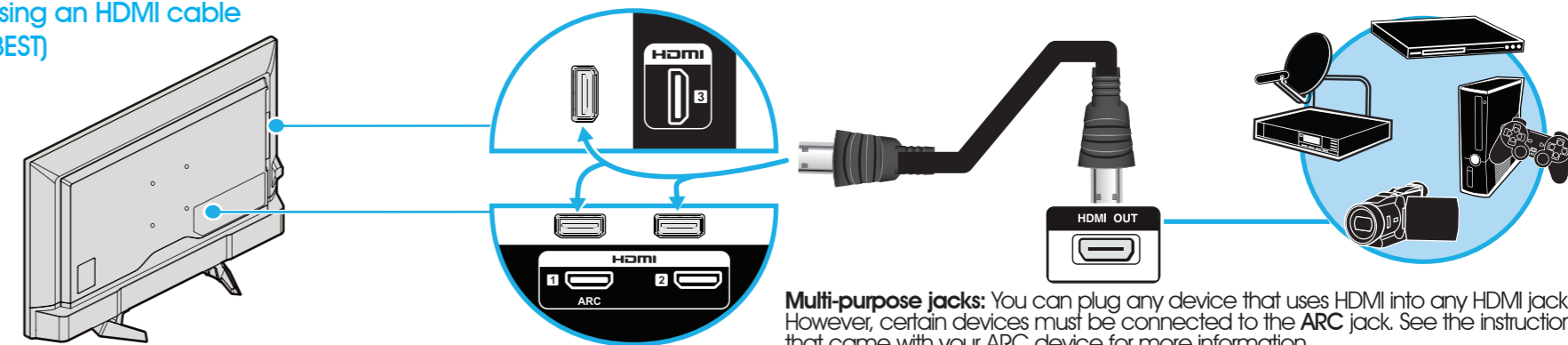


Note: Images do not necessarily represent the exact design of your television. Before using your new product, please read these instructions to prevent any damage.

2 MAKING CONNECTIONS

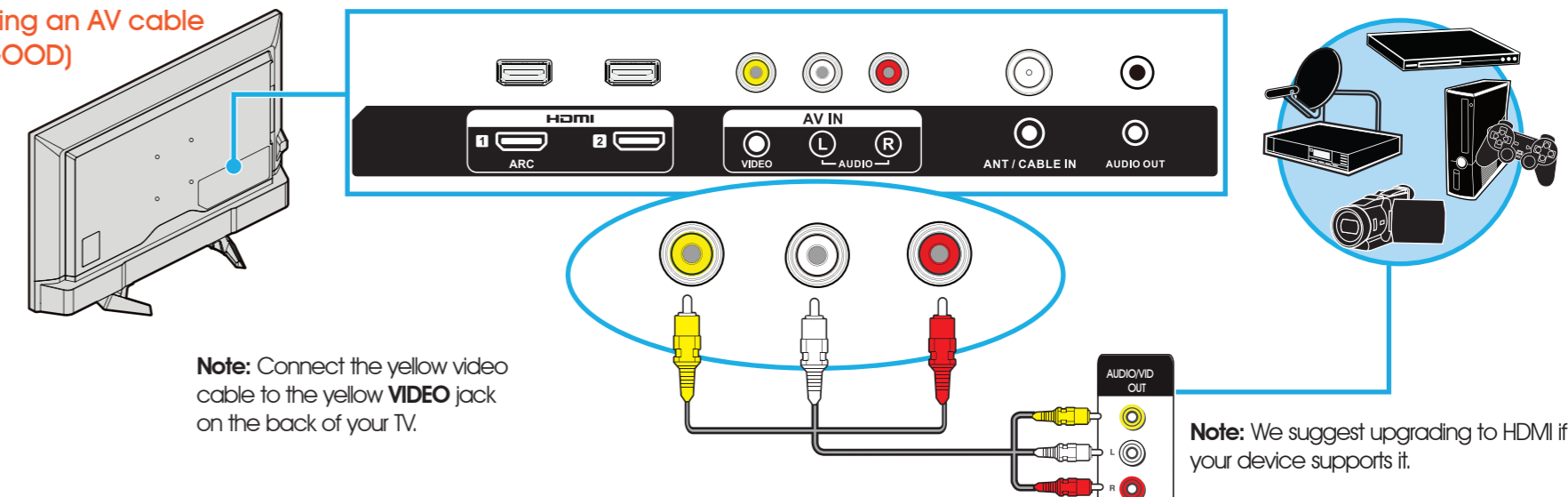
How do I watch TV (cable, satellite, or antenna) or connect a device such as a DVD or Blu-ray Disc player or game console?

Using an HDMI cable (BEST)



Multi-purpose jacks: You can plug any device that uses HDMI into any HDMI jack. However, certain devices must be connected to the ARC jack. See the instructions that came with your ARC device for more information.

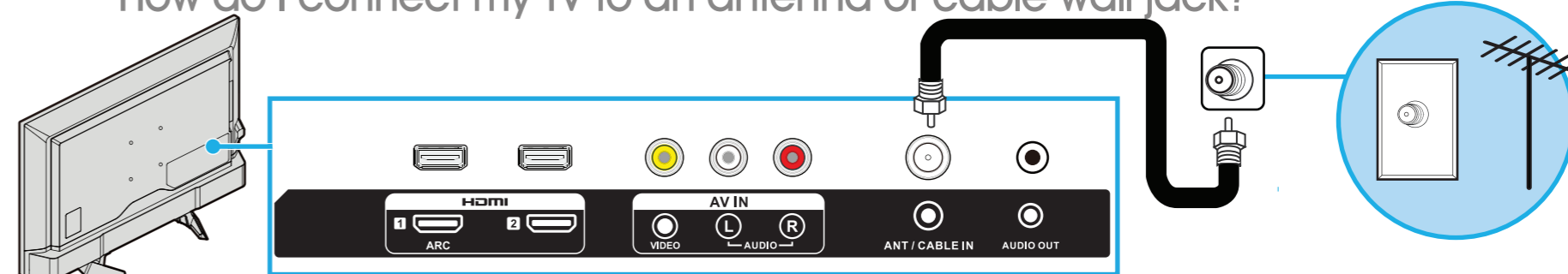
Using an AV cable (GOOD)



Note: Connect the yellow video cable to the yellow VIDEO jack on the back of your TV.

Note: We suggest upgrading to HDMI if your device supports it.

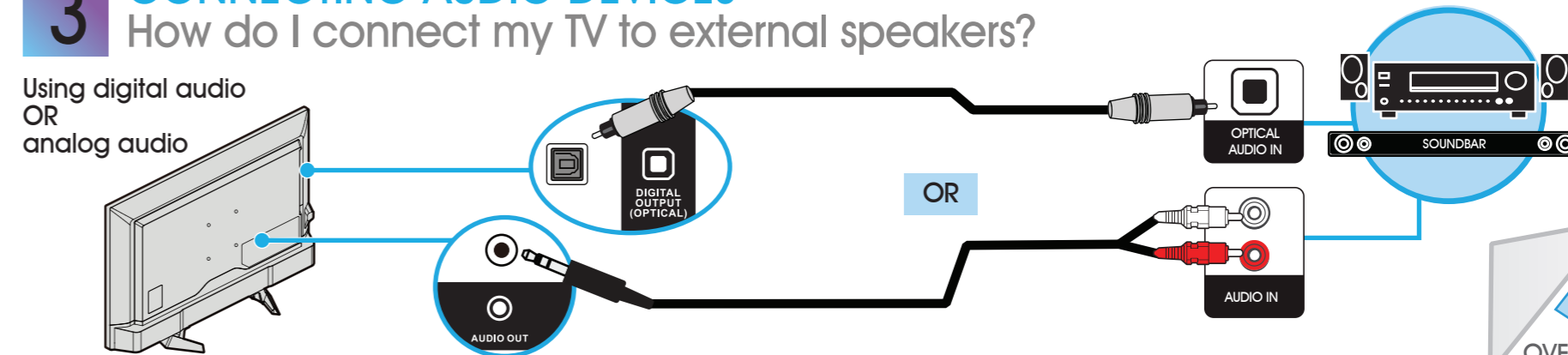
How do I connect my TV to an antenna or cable wall jack?



3 CONNECTING AUDIO DEVICES

How do I connect my TV to external speakers?

Using digital audio OR analog audio



OVER

(Sample Illustration) 32"- TV



FIND YOUR USER GUIDE ONLINE!

We are going green so a copy of your User Guide is not provided in the box but is available online. Go to: <https://www.sharptvusa.com/support>

Find your model and select **Download Owner's Manual.** Your online *User Guide* opens.

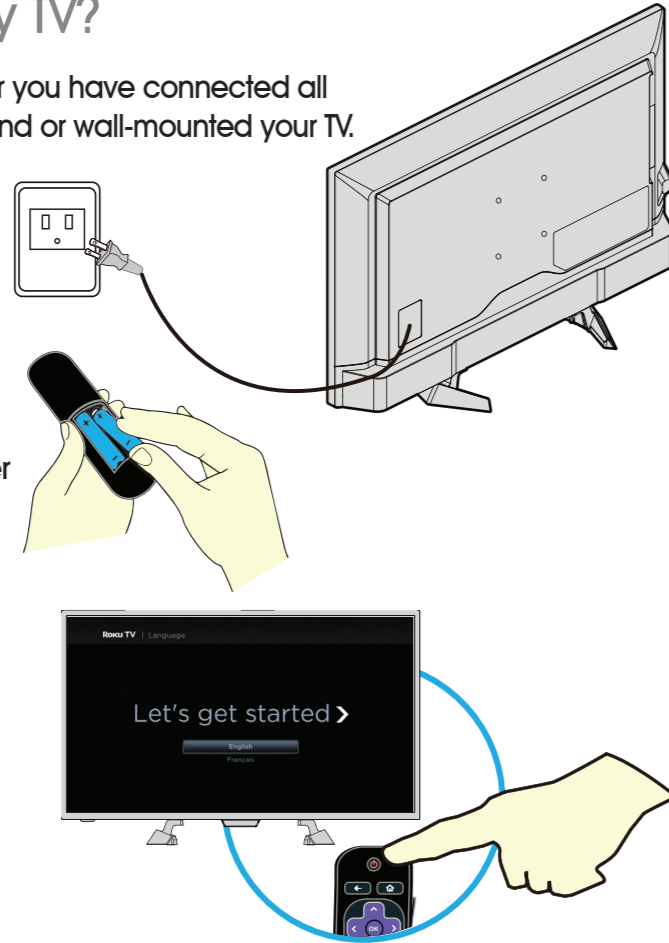
4 TURNING ON MY TV

When can I turn on my TV?

The best time to turn on your TV is after you have connected all devices and either attached the TV stand or wall-mounted your TV.

When your television is in place:

- 1 Plug one end of the power cord into the AC IN connector on the back of your TV and the other end into a power outlet.
- 2 Remove the remote control cover and install the batteries.
- 3 Press **⏻** (power) on your remote control.
- 4 Follow the on-screen instructions.



5 COMPLETE GUIDED SETUP (OPTIONAL)

Establish your network connection.

- 1 Your TV will automatically detect your wireless network, so have your network name and password handy and follow the easy on-screen setup.
- 2 Once connected, your TV will automatically update with the latest software, and you can immediately start streaming entertainment.
- 3 When connected to the Internet, your new Sharp • Roku TV automatically receives regular software updates in the background, continually improving your experience.
- 4 If you aren't ready to connect your TV to a wireless network, you can still use it as a regular TV.

And setup is done ... congratulations!

- 1 Continue using the remote to personalize your Home screen and channel line-up, stream movies, and much more.
- 2 If you have an antenna or cable connected, just click the Tuner tile to watch broadcast TV channels. The fun has just begun!
- 3 Your Roku account: During Guided Setup, you'll be prompted to create your Roku account online at <https://my.roku.com/link>. Your TV will generate a unique code that links your TV to your new account.
- 4 Roku accounts are free, and while a valid credit card number is not required to create your account, providing your credit card information makes renting and purchasing entertainment from the Roku Channel Store fast and convenient.

6 OPTIONAL

Watching local broadcast TV. How do I scan for channels?

If you connected a cable or satellite box, skip this step.
If you connected your TV to an antenna or cable wall jack (no box):

- 1 When the setup wizard is complete, select the **ANTENNA TV** icon from the Home screen.
- 2 Follow the on-screen instructions.
- 3 Whenever you want to watch TV, select this icon.



SHARP • Roku TV

TROUBLESHOOTING

Having trouble completing the guided setup?
Don't worry, it's usually an easy fix.

If you cannot see a picture on your TV

- Make sure your TV and the device you want to watch (cable box, Blu-ray player, game console, etc.) are turned on and plugged into a working wall outlet.
- Make sure your power cable is connected.

If you cannot connect to your wireless home network during guided setup

- Make sure the correct wireless network name is selected.
- Make sure the wireless network password is correctly entered (password is case sensitive).
- Improve wireless signal by rotating the router slightly (even a few inches can help).

If you cannot hear sound

- Make sure TV volume is turned up and not on mute.
- Try only the TV speakers by disconnecting any connection to audio devices (like headphones or audio video receivers).

If the TV remote control isn't working

- Remove any obstruction and point the remote at the TV's IR receiver (see Get to know your TV).
- Try a fresh set of batteries.
- If the status light on the front of your TV flashes once each time you press a remote button, the problem is not with the remote.
- Unplug the TV and plug it back in.

One-year limited warranty

Visit <https://www.sharptvusa.com/support>

Need additional help?

See your online User Guide! This comprehensive guide includes everything from basic how-to steps to more advanced features. Go to: <https://www.sharptvusa.com/support> Find your model and select Download Owner's Manual. Your online User Guide opens.

Find your model and select **Download Owner's Manual**. Your online *User Guide* opens.

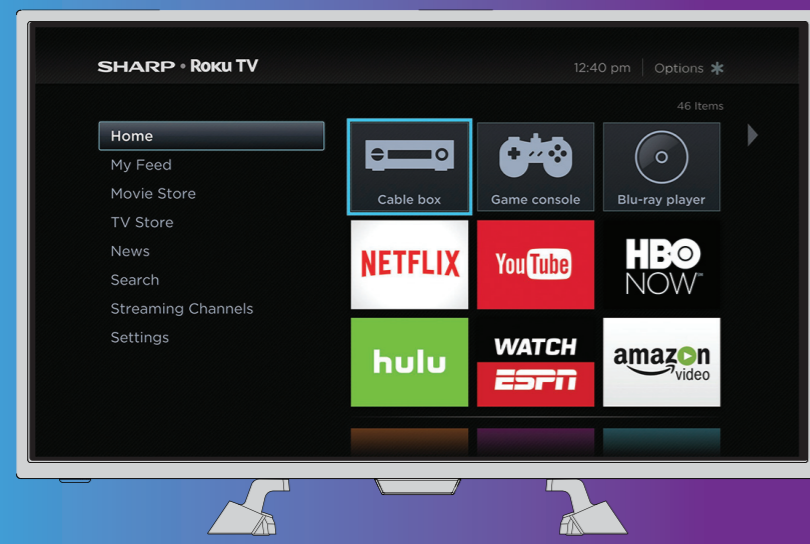
We're here for you.

<https://www.sharptvusa.com/support>
For customer service, call: 855-544-2030

©2016 Best Buy China LTD. All rights reserved. SHARP is a trademark of Sharp Corporation, used under license by Hisense International (Hong Kong) America Investment Co., Limited.

CONNECTING BRINGS OUT YOUR TV'S FULL POTENTIAL!

You'll have access to more than 3,000 streaming channels.*



Make any night a movie night

More than 35,000 movies to choose from, across all major streaming movie channels like Netflix, Amazon Instant Video, Google Play, VUDU, and more.*

Get in the groove

Stream music from one of 85 music channels like Pandora, VEVO, and Spotify. Access your entire MP3 collection instantly with Amazon Cloud Player or the Roku Media Player.

Explore your passions

In addition to popular streaming channels like HBO GO, NFL Now, PBSKids, and FOXNOW, your Sharp • Roku TV also offers hundreds of streaming channels to fuel your passions – including fitness, cooking, religion, outdoors, international programming, and much more.

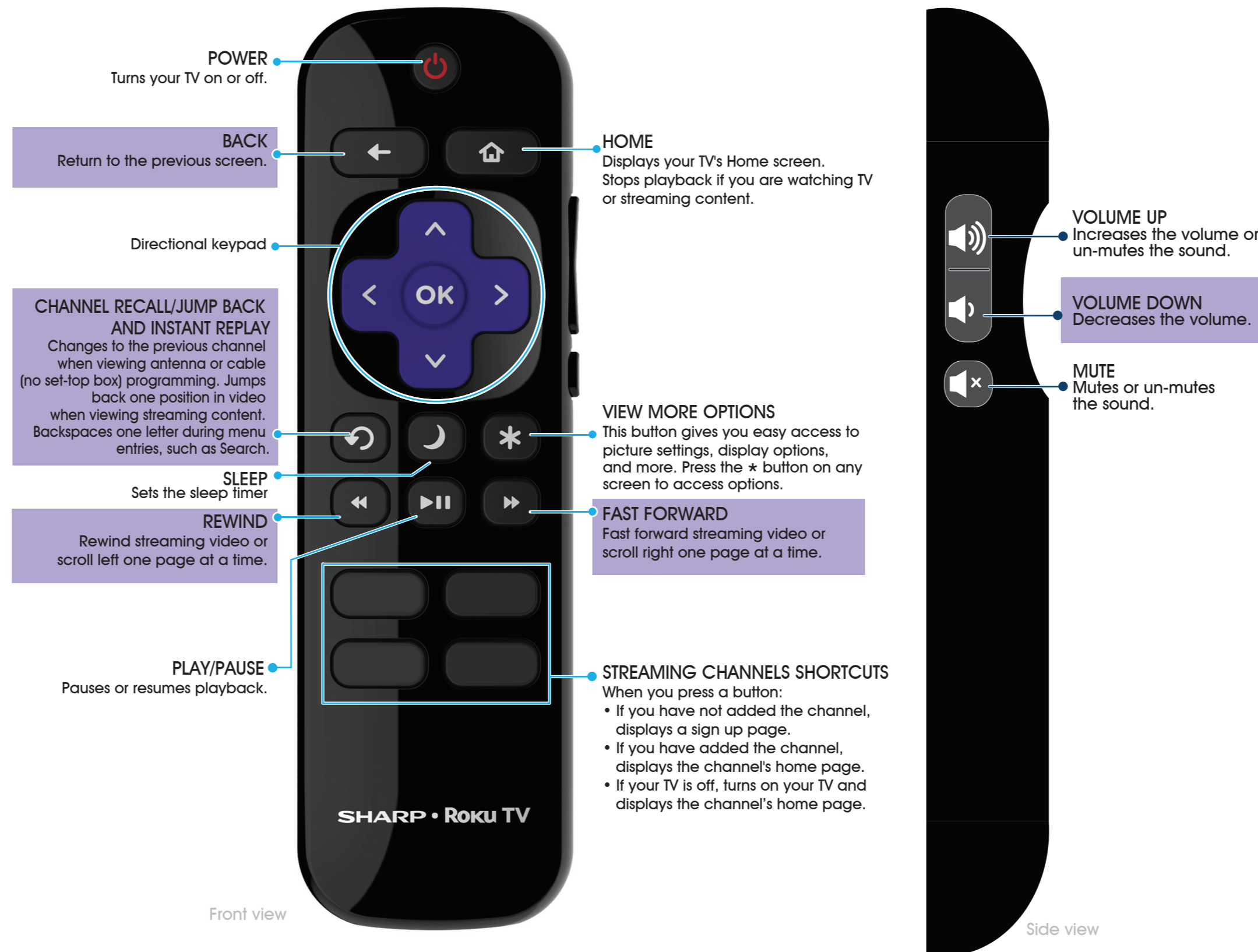
Enjoy FREE trials of popular channels

Your Sharp • Roku TV comes loaded with special offers, including free** trials from popular streaming channels.

*Subscription or other payment may be required to access certain channels. Content may not be available in all areas in which the Sharp Roku TV, are sold and channel availability is subject to change.

**Cancel before your free trial ends to avoid subscription fees. Credit card may be required. ROKU, ROKU TV, and the ROKU logo are trademarks and the property of Roku, Inc. Other channel logos, brand, and product names are trademarks or registered trademarks of their respective holders.

USING YOUR REMOTE CONTROL



Using your cable set-top box or satellite receiver remote as a universal remote.

If you prefer to use your cable set-top box or satellite receiver remote as a universal remote, please refer to the manual that your cable or satellite service provided. It will include instructions on how to program their remote to your television. You can find codes that work with your Sharp • Roku TV and the most common cable and satellite provider's universal remote controls at www.roku.com/universalsremote.